

Lumicrest's AC Dimmable Drivers provide smooth, flickerless dimming for LED linear lighting systems.

They are compatible with a wide range of common triac-based dimmers, including incandescent dimmers. No special Electronic-Low-Voltage or Magnetic-Low-Voltage dimmers are required.



30 watt 801-ps-dim-24v30w
Can be installed in an octagon junction box

Get the Lumicrest Advantage

Features and Benefits:

- Smooth dimming from 100% to 10%
- Reliable operation
- Compatible with most common leading-edge and trailing-edge dimmers
- Safe operation: overload, thermal and short-circuited protected
- Safe operation: Class 2 current-limited design
- Integral enclosures with wiring compartments for 40 watt, 60 watt and 100 watt versions



40 watt 807-ps-dim-24v40w

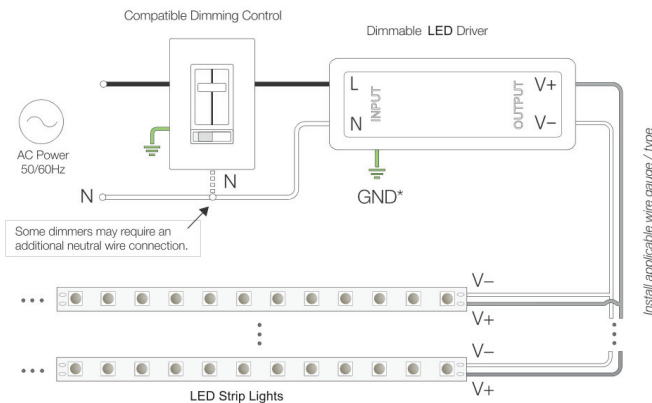


60 watt 802-ps-dim-24v60w



100 watt 803-ps-dim-24v100w

(see chart below for relative dimensions)



Perfect for dimming LED flexible strip lights and rigid LED bar lights

Item	Dimensions (cm)	Wattage	Output Voltage	Hardwire	Class 2	Certification
801-ps-dim-24v30w	8 (Diam.) x 3(H)	30 watt	24V DC	Yes	Yes	cETLus
807-ps-dim-24v40w	21.5(L) x 5.2(W) x 3.5(H)	40 watt	24V DC	Yes	Yes	cETLus
802-ps-dim-24v60w	24(L) x 5.2(W) x 3.5(H)	60 watt	24V DC	Yes	Yes	cETLus
803-ps-dim-24v100w	24(L) x 7(W) x 3.5(H)	100 watt	24V DC	Yes	Yes	cETLus

Note: 12V DC output versions available upon request

Lumicrest brings you the finest selection of high quality, innovative and cost-effective LED lighting solutions.

Contact us today to learn more about how you can take advantage of the many benefits of Lumicrest LED technology. 1.866.609.0282 info@lumicrest.com