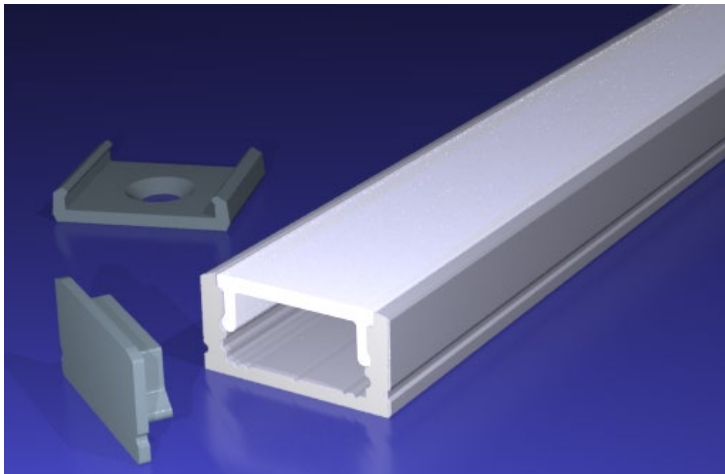


# The Workhorse



Silver Finish (model/SKU 1230/1231)



Black Finish  
(model/SKU  
1232/1233)

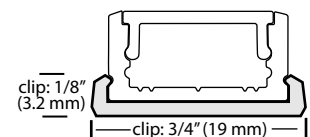
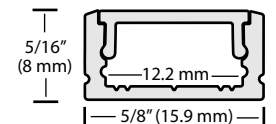


White Finish  
(model/SKU  
1234/1235)

### The Workhorse is part of Lumicrest's new line of in-house custom-designed aluminum LED profiles for LED flexible strips/tape lights.

Q: What's different about the Workhorse compared to similar LED profiles on the market?

- A: 1) The Workhorse is 5/8" wide, to press-fit into common 5/8" grooves for convenience and speed of installation. Other LED profiles on the market are too wide or too narrow for a 5/8" opening.  
 2) The Workhorse uses the same diffusing lens as others in the Lumicrest custom line, for interchangeability. (Others use slightly different diffusers for every model, even if the dimensions are basically the same).  
 3) The Workhorse comes in silver, black or white finishes, in two lengths: 2.5 m (8'2") and 3 m (9'10").  
 4) Optional transparent and black translucent diffuser lenses are available upon request.  
 5) Diffusers are made from self-extinguishing (fire-resistant) polycarbonate for fire safety.  
 6) Mounting clips are small and discreet, for a refined appearance.



The Workhorse may be used in recessed applications (in a 5/8" groove) or surface-mounted. It accommodates LED strips/tapes up to 12 mm wide.

Model/SKU	Finish	Width	Depth	Length	Included Diffuser
1230-ch-1608-2.5m-SV	Silver	5/8" (15.9 mm)	~5/16" (8 mm)	~8'2" (98.4") (2.5 m)	Frosted PC (polycarbonate)
1231-ch-1608-3m-SV	Silver	5/8" (15.9 mm)	~5/16" (8 mm)	~9'10" (118.1") (3 m)	Frosted PC (polycarbonate)
1232-ch-1608-2.5m-BK	Black	5/8" (15.9 mm)	~5/16" (8 mm)	~8'2" (98.4") (2.5 m)	Frosted PC (polycarbonate)
1233-ch-1608-3m-BK	Black	5/8" (15.9 mm)	~5/16" (8 mm)	~9'10" (118.1") (3 m)	Frosted PC (polycarbonate)
1234-ch-1608-2.5m-WH	White	5/8" (15.9 mm)	~5/16" (8 mm)	~8'2" (98.4") (2.5 m)	Frosted PC (polycarbonate)
1235-ch-1608-3m-WH	White	5/8" (15.9 mm)	~5/16" (8 mm)	~9'10" (118.1") (3 m)	Frosted PC (polycarbonate)

Alternate Diffuser Model/SKU	Description	Length
1240-ch-cleardiff-2.5	Transparent/Clear Diffuser	~8'2" (98.4") (2.5 m)
1241-ch-cleardiff-3	Transparent/Clear Diffuser	~9'10" (118.1") (3 m)
1242-ch-blackdiff-2.5	Black Translucent Diffuser	~8'2" (98.4") (2.5 m)
1243-ch-blackdiff-3	Black Translucent Diffuser	~9'10" (118.1") (3 m)