

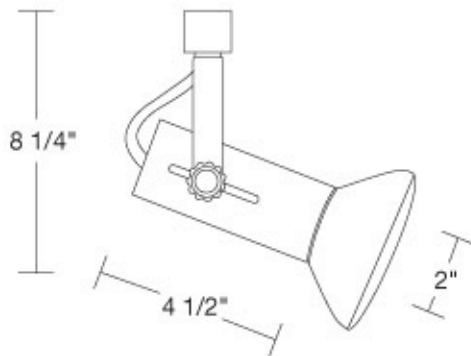
"Universal" track head for PAR lights, compatible with Halo-style track systems

The open style of our track heads is ideal for Lumicrest LED lamps, as it allows for optimal ventilation of the heat sink fins for longest life and reliability.

This fixture provides freedom of motion in both horizontal and vertical axis so you can point the light exactly where you need to.

Because there is no front ring, it can be used for any size of Par light with a screw base: Par20, Par30 or Par38. For GU10 lights please order our GU10 track head or use a GU10 to screw-base adapter.

Ideal for galleries, retail stores, residences and office environments. (LED lights sold separately)



Model Number	Voltage Input	Weight	Colour	Certification
383-th-u-hw	120 volts AC / 60 hz	.48 lbs/220 g.	White	cUL
139-th-u-hw	120 volts AC / 60 hz	.48 lbs/220 g.	Cream white	cUL
244-th-u-hb	120 volts AC / 60 hz	.48 lbs/220 g.	Black	cUL

Perfect for offices, galleries, retail, residential and hospitality environments.

Contact us today to learn more about how you can take advantage of the many benefits of LED technology. 1.866.609.0282 info@lumicrest.com